

**GAGGIA**

**SUP037RG** RI9305/01-03-04-05-08-11-12-41  
RI9305/40-47-43-48 RI9833/60-70

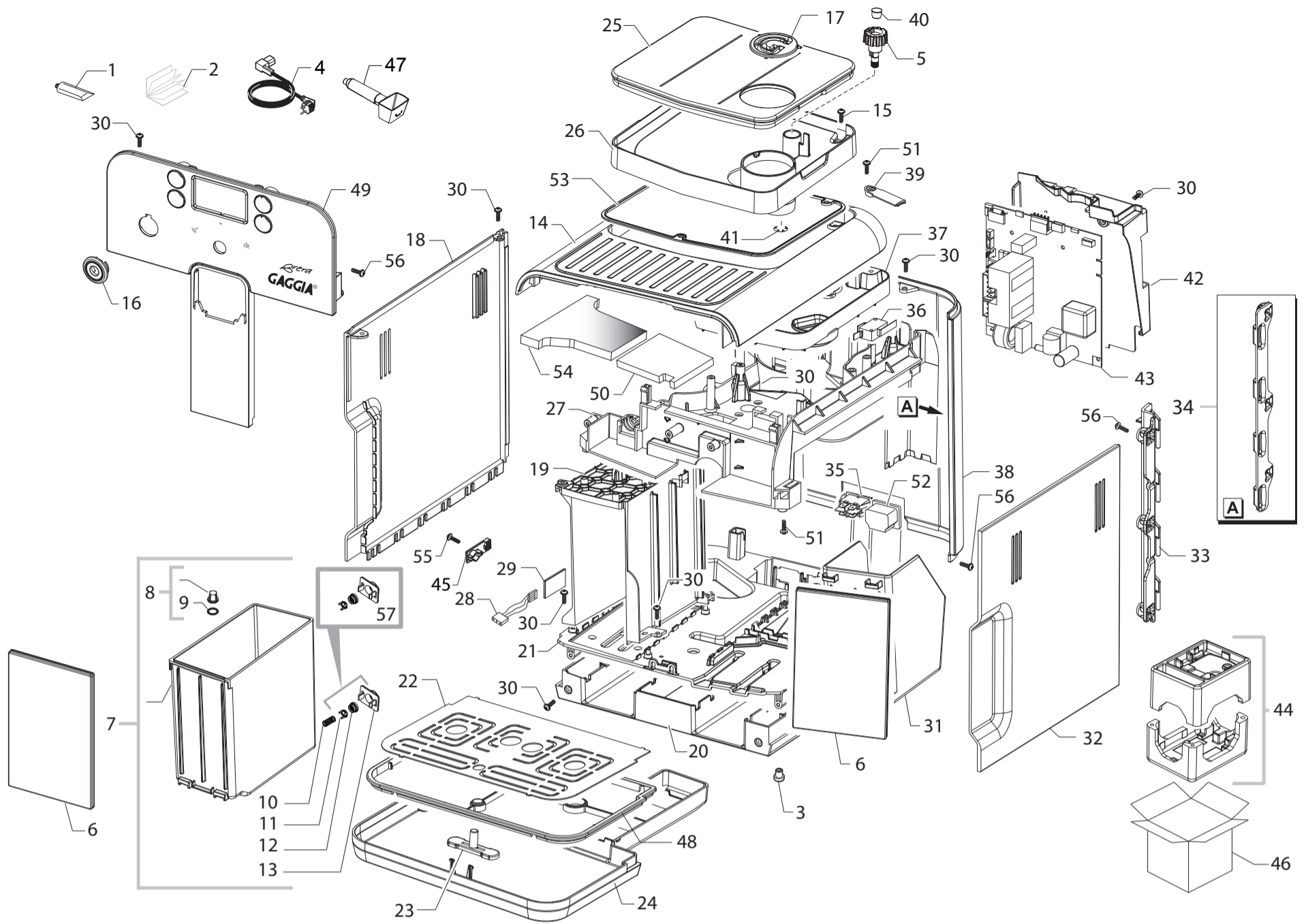
**Cod.10003083-3370-3744-3636-3357-3230-3662-3740**  
**Cod.886930540460-10003358-3635-3359-3356-3357**

POS	CODE	12NC	DESCRIPTION	NOTE	POS	CODE	12NC	DESCRIPTION	NOTE
01		421946017941	KLUBERLUB NH1 11-222 TUBE 5GR.		20	11022419	996530007362	GMS CASING BOTTOM COVER XSM	
02			NOT AVAILABLE					<b>ALL EXCEPT RI9305/11-12-40-47 RI9833/60</b>	
03	147622800	996530016875	TRANSPARENT SILICONE FOOT			11012681	996530006464	BLACK CASING BOTTOM COVER XSM	
04		421946001591	BLK POWER CABLE SCHUKO L=800					<b>RI9305/11-12-40-47 RI9833/60</b>	
	183921950	996530025843	POWER CABLE SJT3 USA BLACK UL L=1200		21	17000432	996530066739	BLACK CASING BOTTOM XSMC	
	183930650	996530025858	POWER CABLE CH BLACK 3X1 H05VV-F L=1200		22	11013857	996530006884	SS GRATE FOR DRIP TRAY GXSM/P	
	183970350	996530025882	BLACK POWER CABLE UK L=1200		23	11013184	996530006683	RED FLOAT FOR DRIP TRAY XSM	
	11004247	996530002167	BLACK POWER CABLE RVV 3X1 CHINA L=1200		24	11022931	996530007501	SAT.MET/GREY DRIP TRAY GXSM	
	183940650	996530025872	BLACK POWER CABLE AUSTRALIA L=1200					<b>ALL EXCEPT RI9305/11-12-40-47 RI9833/60</b>	
	17800019	996530009627	BLACK POWER CABLE BRAZIL L=1200			11013883	996530006902	BLACK DRIP TRAY GXSM	
	11001985	996530001089	BLACK POWER CABLE KOREA L=1200					<b>RI9305/11-12-40-47 RI9833/60</b>	
		996530009632	BLK POWER CABLE VCTF JAPPON L=1200		25	11022854	996530007467	NAT/GREY BEAN COFFEE CONTAINER LID GXSM	
05	11013206	996530006689	BLACK GRIND.ADJUSTMENT KNOB XSM		26	11012724	996530006504	NAT/GREY BEAN CONTAINER XSM	
06	11021742	996530007124	BLACK-SB/SS CONTAINERS COVER GXSM ASSY.		27	11012642	996530006446	BLACK COFFEEGRINDER PLATE XSM	
07		421944056291	NAT/GREY WATER CONTAINER V2 XSM ASSY.		28	11013709	996530006833	3POLES CONNECTOR WATER LEVEL XSM UL	
08	224640200	996530029115	WHITE WATER CONTAINER EXT.FILTER ASSY.		29	11003232	996530001522	AS.CPU+SW WATER LEVEL SENSOR V2	
09	140328461	996530013571	OR ORM 0190-10 EPDM		30	12000450	996530007819	SCREW TCBR TORX 10 3,5X12 PLAST.ZN-N	
10	11003672	996530001831	SS SPRING FOR WATER CONTAIN.VALVE P0049		31	11012709	996530006491	BLACK DUMP BOX XSM	
11		421944040071	BLK WATER CONT.VALVE INSERT V2 P0049		32	11030760	996530072654	GMS DOOR RIGHT SIDE GXSM ASSY.	
			<b>FROM S.N. TW/TU901603030768</b>					<b>ALL EXCEPT RI9305/11-12-40-47 RI9833/60</b>	
12		421944040781	BLK GASKET FOR WATER CONT.VALVE V2 P0049			11030759	996530072655	901510/BLK DOOR RIGHT SIDE GXSM ASSY	
			<b>FROM S.N. TW/TU901603030768</b>					<b>RI9305/11-12-40-47 RI9833/60</b>	
13		421944040061	BLK LID FOR WATER CONT.VALVE V2 P0049		33	11012713	996530006494	BLACK HINGE FOR DOOR RIGHT SIDE XSM	
			<b>FROM S.N. TW/TU901603030768</b>		34	11012714	996530006495	BLACK HINGE FOR REAR CASING XSM	
14	11022932	996530007502	GMS UPPER CASING COVER GXSM		35	11013425	996530006773	HARNESS GENERAL SWITCH XSM ASSY.	220-230-240V
			<b>ALL EXCEPT RI9305/11-12-40-47 RI9833/60</b>			11022573	996530007403	HARNESS GENERAL SWITCH XSM UL ASSY.	100-120-127V
	11013882	996530006901	9005/BLACK UPPER CASING COVER GXSM		36		421946032321	MICROSWITCH XG/V3D/VA2	
			<b>RI9305/11-12-40-47 RI9833/60</b>		37	17000431	996530066738	COFFEE GRINDER SOUNDPROOFING COVER XSMC	
15	129660102	996530012968	PANELVIT TCB SCREW 3,5X18 D.7505 Z		38	11014196	996530007035	BLACK REAR CASING GXSM39	
16	11021337	996530007076	CHROM.FRONTAL PANEL CAP GXSM		39	11022934	996530007504	SAT.MET/GREY COVER INFRAREDS ACCESS GXSM	
			<b>UP TO S.N. TW/TU9011029097424</b>					<b>ALL EXCEPT RI9305/11-12-40-47 RI9833/60</b>	
	11027517	996530070314	CHROM.FRONTAL PANEL CAP V2 GXSM			11014031	996530006973	BLACK COVER INFRAREDS ACCESS GXSM	
			<b>FROM S.N. TW/TU9011029097425</b>					<b>RI9305/11-12-40-47 RI9833/60</b>	
17	11013876	996530006896	NAT/GREY GROUND COFFEE HOPPER LID GXSM		40	149213000	996530018115	TRANSP.CAP FOR KNOBS BEAN CONTAINER	
18	11022930	996530007499	GMS CASING LEFT SIDE GXSM		41	120350604	996530010768	SHAFT 6 UNI 7434	
			<b>ALL EXCEPT RI9305/11-12-40-47 RI9833/60</b>		42		421944017971	BLK PWR/CPU BOARD PROTECTION V2 P0057	
	11013880	996530006898	9005/BLACK CASING LEFT SIDE GXSM				996530006364	BLK PWR/CPU BOARD PROTECTION P0057	100-120-127V
			<b>RI9305/11-12-40-47 RI9833/60</b>		43	11027925	996530071874	AS.CPU+SW XSM SLIM	230V
19	11012708	996530006489	BLACK CASING BOTTOM INSERT XSM				421941312071	AS.CPU+SW BRERA 120V	120 - 127V
							421941311821	AS.CPU+SW BRERA JAPAN	100V

**GAGGIA**

**BRERA LED**

**TABLE 1A/6**



**GAGGIA**

**SUP037RG** RI9305/01-03-04-05-08-11-12-41  
RI9305/40-47-43-48 RI9833/60-70



Cod.10003083-3370-3744-3636-3357-3230-3662-3740  
Cod.886930540460-10003358-3635-3359-3356-3357

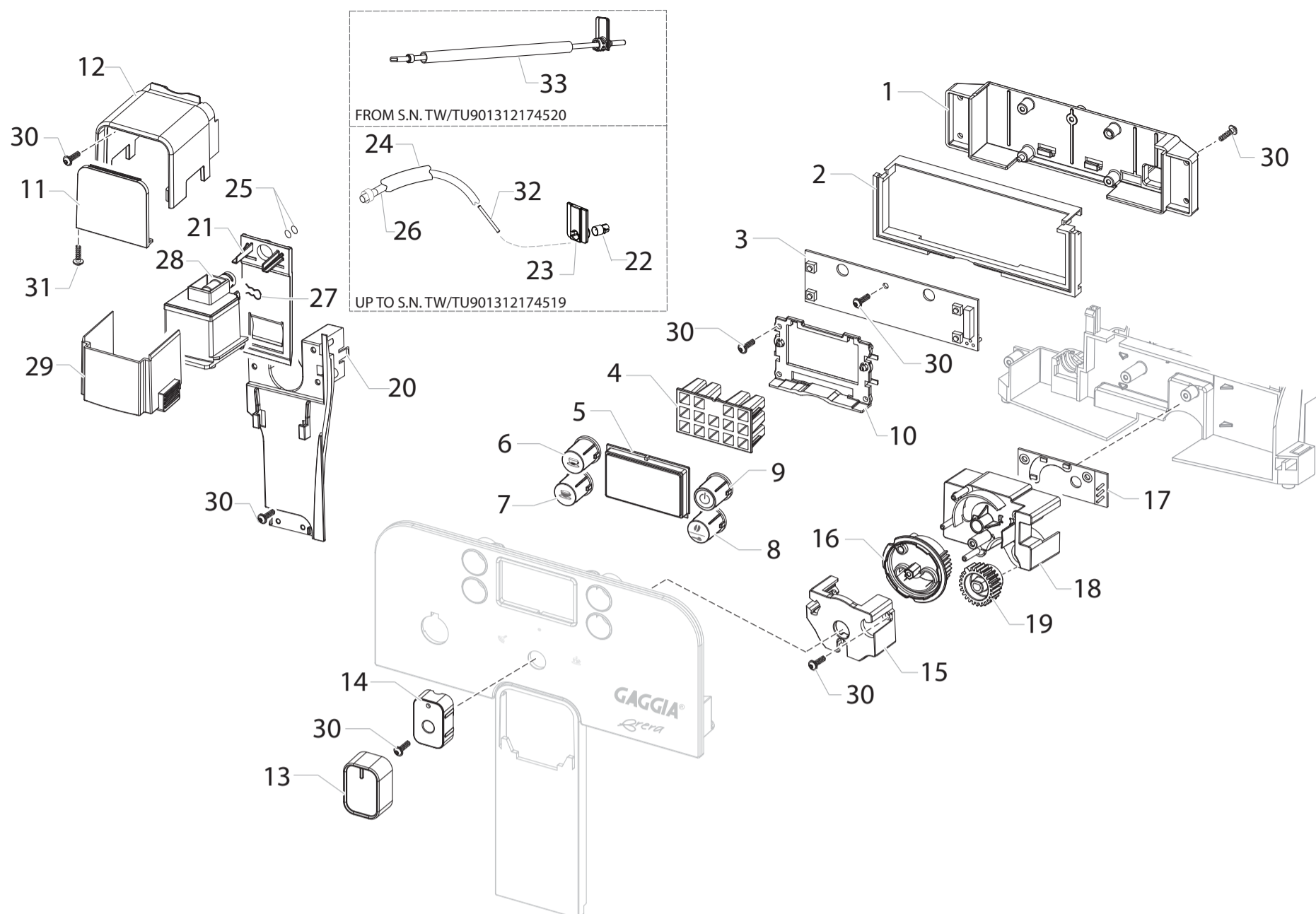
POS	CODE	12NC	DESCRIPTION	NOTE	POS	CODE	12NC	DESCRIPTION	NOTE
44	20007054	996530071496	KIT PS-E INSERT FOR BOX GXSM						
45	17000064	996530067437	BLK CAPACIT.SENSOR DEADLOCK INSERT XSM						
46	13001674	996530074038	DISPLAY BOX V2 GXSM GAG BRERA LED						
47		421944033301	BLK ABS COFFEE MEASURE SMART						
48	11022933	996530007503	SAT.MET/GREY DRIP TRAY GRATE SUPP.GXSM						
			<b>ALL EXCEPT RI9305/11-12-40-47 RI9833/60</b>						
	11013858	996530006885	BLACK DRIP TRAY GRATE SUPPORT GXSM						
			<b>RI9305/11-12-40-47 RI9833/60</b>						
49	11031428	996530073422	BLK/SS FRONT PANEL S/SCR.V2 GXSM/P ASSY.						
50	17000119	996530066731	UPPER COVER CASING INSUL.PROTECT.GXSM UL	100-120-127V					
51	129912521	996530013148	SCREW TCB TORX 10 3,5X14 PLAST.SS						
52	12001883	996530072437	CUP SOCKET V3 EN 60320 C 13	230V					
53	11023102	996530007579	BLACK BEAN COFFEE CONTAIN.SEAL GXSM						
54	11023103	996530007581	UPPER COVER CASING INSUL.PROTECTION GXSM						
55	129913202	996530013156	SCREW TCB TORX 10 3X8 PLAST.ZN-B						
56	12001728	996530070321	SCREW TCB TORX 10 3,5X12 PLAST.SS						
57		421941308821	KIT SP.COMPONENTS WATER CONTAINERS ASSY						
			<b>UP TP S.N. TW/TU901603030767</b>						

**GAGGIA**

**BRERA LED**

**TABLE 1B/6**





**GAGGIA®**

**SUP037RG** RI9305/01-03-04-05-08-11-12-41  
RI9305/40-47-43-48 RI9833/60-70



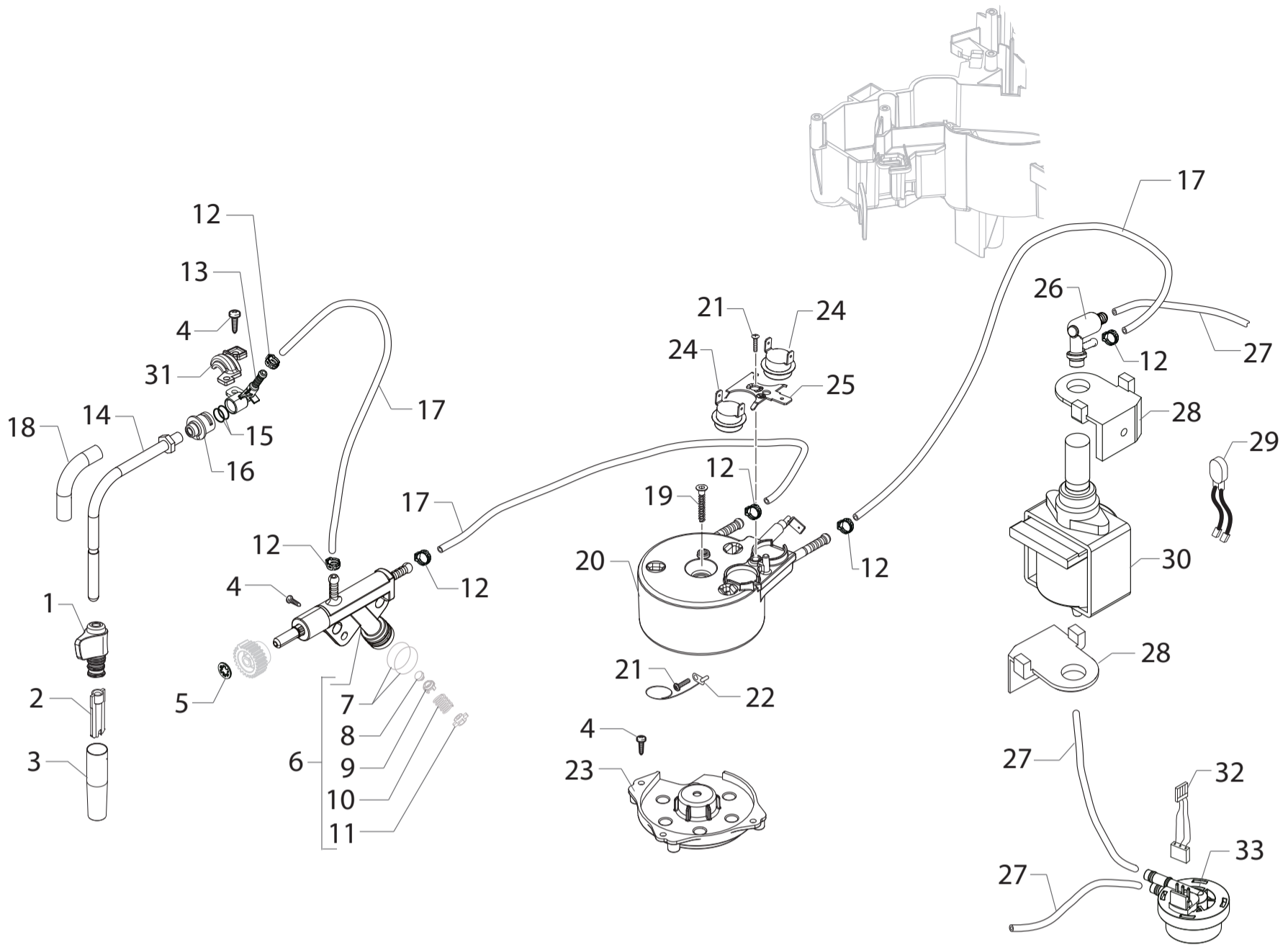
Cod.10003083-3370-3744-3636-3357-3230-3662-3740  
Cod.886930540460-10003358-3635-3359-3356-3357

POS	CODE	12NC	DESCRIPTION	NOTE	POS	CODE	12NC	DESCRIPTION	NOTE
01	11013856	996530006883	BLACK CPU BOARD SUPPORT GXSM/P		33	11031203	996530073357	TEFL.TUBE 2X4 L=235+PLATE+2BUSH NPR ASSY	
02	11013859	996530006886	BLACK TOUCH PANEL SEAL GXSM/P					<b>FROM S.N. TW/TU901312174520</b>	
03	11021372	996530007088	INTERFACE LED BOARDS+UL CABL.GXSM/P ASSY						
04	11023369	996530067947	WHITE GUIDE LIGHT SUPPORT GXSM						
05	11013893	996530006913	TRANSP.GLASS FOR LED GXSM/P						
06	11021887	996530007186	BLACK SHORT COFFEE CUP BUTTON GXSM						
07	11021886	996530007185	BLACK LONG COFFEE CUP BUTTON GXSM						
08	11021888	996530007187	BLACK AROMA COFFEE BUTTON GXSM						
09	11021889	996530007188	BLACK.ON/OFF BUTTON GXSM						
10	11013889	996530006908	BLACK CPU BOARD RETAINING INSERT GXSM						
11	11021362	996530007084	CHROM.COFFEE DISPENSER FRONT PLATE GXSM						
12	11021339	996530007078	CHROM.COFFEE DISPENSER SUPPORT GXSM						
13	11021338	996530007077	CHROM.CONTROL KNOB COVER GXSM/P						
14	11013886	996530006905	NATURAL CONTROL KNOB GXSM/P						
15	11014090	996530006985	BLACK CONTROL KNOB SUPPORT COVER GXSM						
16	11013117	996530006632	BLACK CONTROL KNOB SUPPORT XSM ASSY.						
17	11014029	996530006971	KEYBOARD TAP SENSOR GXSM						
18	11012704	996530006486	BLACK KNOB ELECTR.BOARD SUPPORT XSM						
19	11004120	996530002059	WHITE STEAM/WATER GEAR Z=26 P0057						
20	11012707	996530006488	BLACK FRONT PANEL SUPPORT XSM						
21	11013829	996530006872	BLACK COF.DISPENSER MOBILEPART SUPP.GXSM						
22	11005101	996530002749	BLACK BUSH FOR TEFLON TUBE 2X4 P124						
23	11005100	996530002748	PLATE FOR BUSH TEFLON TUBE 2X4 P124						
			<b>UP TO S.N. TW/TU901312174519</b>						
24	149361200	996530018278	BLACK SILICONE TUBE 7,5X9,3	IN ROLL					
			<b>UP TO S.N. TW/TU901312174519</b>						
25	140328059	996530013564	OR 2015 SILICONE PTFE/FDA						
26	11004132	996530002073	TEFLON TUBE 2X4 L=250 MM ASSY.						
			<b>UP TO S.N. TW/TU901312174519</b>						
27	9011.144	996530048885	SS FORK FOR TUBE D=4						
28	11013070	996530006603	BLACK COFFEE DISPENSER XSM ASSY.						
29	11013828	996530006871	BLACK COFFEE DISPENSER MOBILE PART GXSM						
30	12000450	996530007819	SCREW TCB TORX 10 3,5X12 PLAST.ZN-N						
31	129912902	996530013153	SCREW TCB TORX 10 AB 2,9X6,5 SHEET ZN-B						
32	17000266	996530071774	SS.L=22,6MM INT.BUSH FOR TEFLON TUBE D4						
			<b>UP TO S.N. TW/TU901312174519</b>						

**GAGGIA®**

**BRERA LED**

TABLE 2/6



**GAGGIA**

**SUP037RG** RI9305/01-03-04-05-08-11-12-41  
RI9305/40-47-43-48 RI9833/60-70



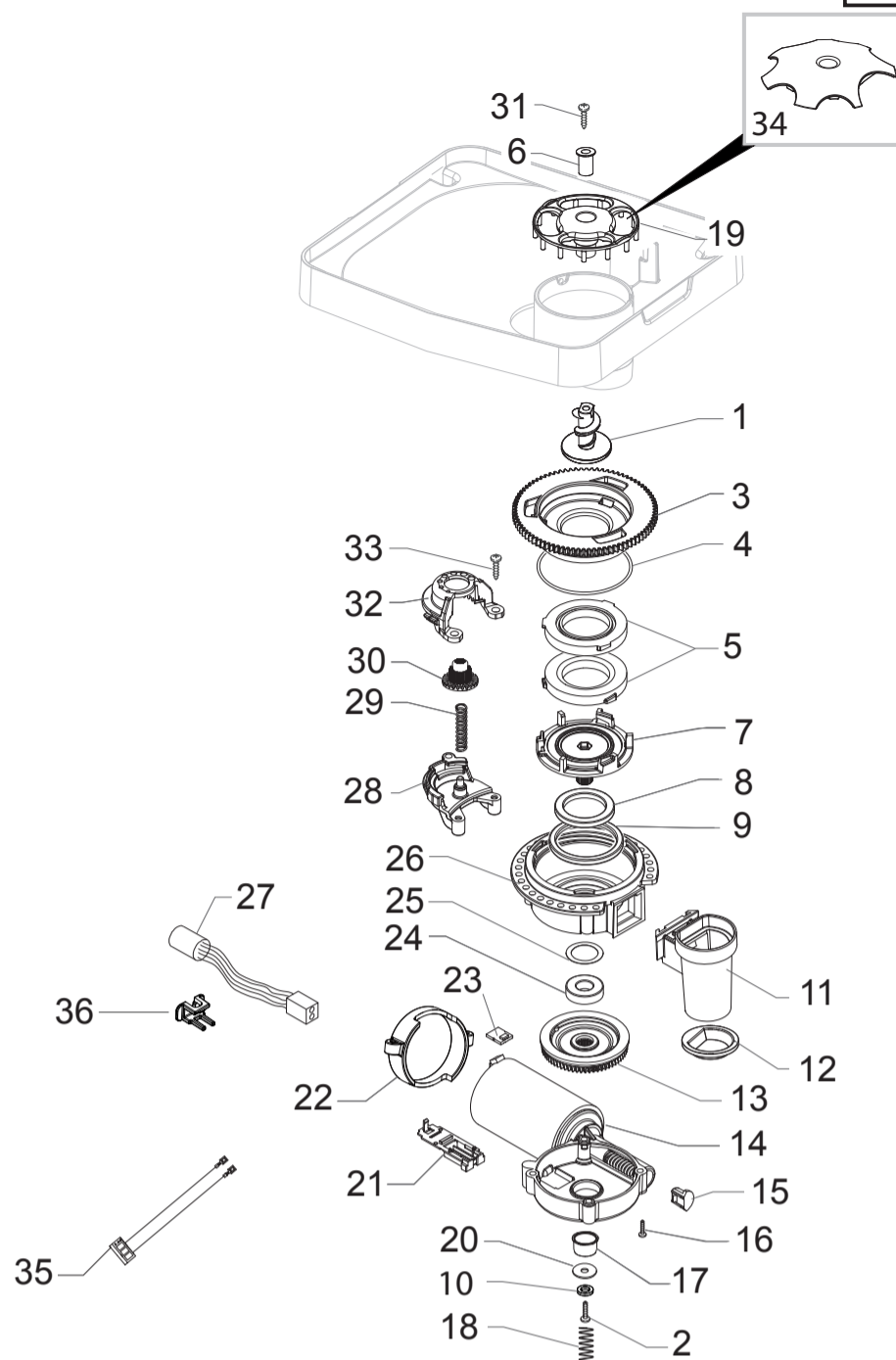
Cod.10003083-3370-3744-3636-3357-3230-3662-3740  
Cod.886930540460-10003358-3635-3359-3356-3357

POS	CODE	12NC	DESCRIPTION	NOTE	POS	CODE	12NC	DESCRIPTION	NOTE
01		421941300671	BLK/SIL.STEAM TUBE HANDGRIP G0053		32	11005948	996530003241	3POLES CONNECTOR FLOWMETER P0057	
02	11001620	996530000925	BLACK PANNARELLO INNER TUBE P0049		33	NV99.099	996530059843	TURBINE D=1,2 932-8521/00 ASSY.	
03	11001621	996530000926	SS PANNARELLO COVER P0049						
04	12000450	996530007819	SCREW TCB TORX 10 3,5X12 PLAST.ZN-N			11026683	996530069759	SLIM TUB.BOIL.STD C1 T190° AS	230V 1300W
05	128210600	996530012336	ELASTIC WASHER FOR SHAFT D=6MM			11026684	996530069761	SLIM TUB.BOIL.STD C1 T190° AS	120V 1300W
06	11012381	996530006383	FLOW SELECTOR FAUCET V2 P0057				421944024221	SLIM TUB.BOILER SMR ASSY.	100V 1100W
07			NOT AVAILABLE SEE POS 06					WITH PART.N°20-21-22-24-25	
08			NOT AVAILABLE SEE POS 06						
09			NOT AVAILABLE SEE POS 06						
10			NOT AVAILABLE SEE POS 06						
11			NOT AVAILABLE SEE POS 06						
12		996530007742	OETIKER CLAMP D=9,5 15400022						
13		421944028161	STEAM TUBE SUPPORT PPS P0057						
14	11014042	996530006978	TF/CHROM.STEAM TUBE GXSM ASSY.						
15	140324461	996530013509	OR ORM 0060-20 TERMOIL						
16	11011127	996530005979	BLACK PA6 BUSH FOR STEAM TUBE P0057						
17	16000380	996530009505	5X8,9 SILICONE TUBE	IN ROLL					
18	11012923	996530006574	CHROM.STEAM TUBE PROTECTION XSM						
			<b>UP TO S.N. TW/TU9011029097424</b>						
19	12001369	996530008039	SCREW TSP TORX 10 5X35 PLAST.SS						
20	11013735	996530006841	SLIM TUB.BOILER ASSY.	230V 1300W					
	11023153	996530007586	SLIM TUB.BOILER ASSY.	120V 1300W					
		421941221801	SLIM TUB.BOILER ASSY.	100V 1100W					
21	12001715	996530069758	SCREW TCB TORX 20 M4X8 AUTOFORMING ZN-B						
22	190800100	996530026997	TEMPERATURE SENSOR NTC UL L=280MM						
23		421941215942	BLK SLIM/EXSL TUB.BOILER SUPPORT V2						
24	12001033	996530007973	THERMOSTAT ONE SHOT 190°						
25	11001751	996530000997	TUB.BOILER V3 UPPER THERM.FIXING SPRING						
26	11024863	996530068178	L-F/BR.SAFETY VALVE 16-18 BAR ASSY.						
27	JS01.022	996530057357	SILICONE TUBE 5X10 60SH	IN ROLL					
28	149205850	996530018056	BLACK TYPE ULKA PUMP W/BEVEL SUPPORT						
29	11009747	996530005496	2POLES CONNECTOR PUMP P0057 UL						
30	12000140	996530007753	ULKA PUMP EP5/S GW	230V-50HZ					
	12000142	996530007754	ULKA PUMP EAP5/S	120V-60HZ					
	12000182	996530007782	ULKA PUMP EP5/S GW	220V-60HZ					
		996530007749	ULKA PUMP EP5/S GW	100V-50/60HZ					
31	11013894	996530006914	BLACK FORK FOR STEAM TUBE GXSM						

**GAGGIA**

**BRERA LED**

TABLE 3/6



**GAGGIA®**

**SUP037RG** RI9305/01-03-04-05-08-11-12-41  
RI9305/40-47-43-48 RI9833/60-70



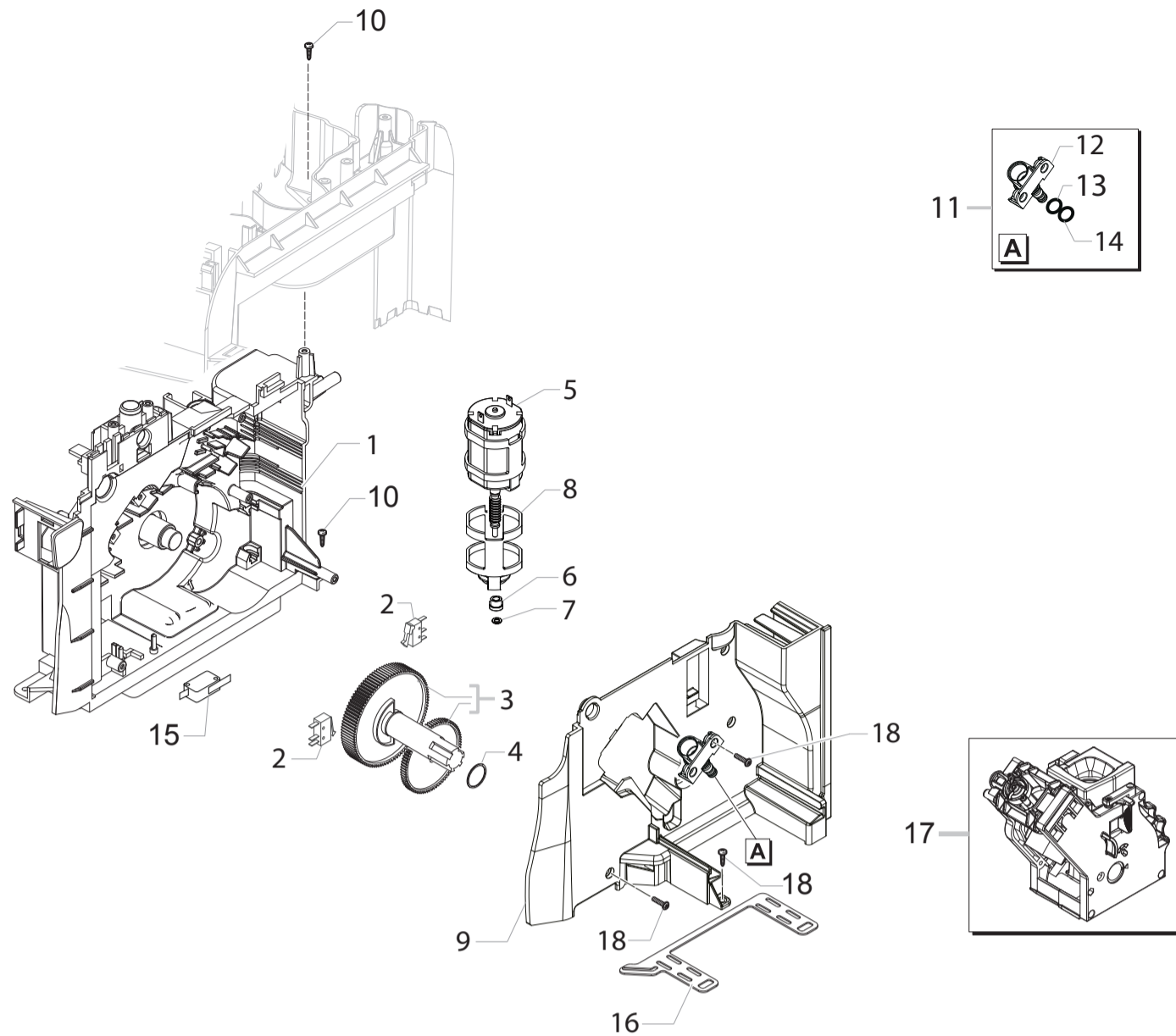
Cod.10003083-3370-3744-3636-3357-3230-3662-3740  
Cod.886930540460-10003358-3635-3359-3356-3357

POS	CODE	12NC	DESCRIPTION	NOTE	POS	CODE	12NC	DESCRIPTION	NOTE
01	11010031	996530005586	TEA/ZAMA INCREASE SCREW GRINDER		35	11008869	996530005071	2P.CONNECT.COFFEE GRINDER MOTOR S0053	
	11024208	996530066712	TEA SHORT ZAMA INCREASE SCREW GRINDER	100-120-127V	36	17001921	996530072477	BLK WIRING FIX INSERT FOR GRINDER BOARD	
02	129574802	996530012928	SCREW TCB TORX 20 M4X30 ZN-B						
03		421941094152	BLK COF.GRINDER UPPER GRINDER SUPPORT V2			11006059	996530003327	GEN.MOTOR COF.GRINDER STD P0057 ASS	230V
04	140328960	996530013577	OR ORM 0530-15 NBR FDA			11024242	996530066713	GEN.MOTOR COF.GRINDER V3 P0057 ASSY	120-127V
05	146520100	996530016342	BAKED CLAY GRINDER 48X28				421944085951	GEN.MOTOR COF.GRINDER V3 P0057 ASSY	100V
06	11012466	996530006412	BRASS BUSH BEAN CONT.FINGER PROTEC.P0057						
07	149198350	996530017952	BLK LOWER COFFEEGRINDER GRINDER SUPPORT						
08	123030300	996530011183	AXIAL BEARING EKKO 342.35252						
09	140360500	996530013597	FELT RING 45,4X39,4X4						
10	128310402	996530012341	GALV.WASHER UNI 8842 A4						
11	11026355	996530068049	BLK GROUND COFF.OUTLET CONVEYOR V4 ASSY.						
12	11030459	996530072511	GRY GROUND COFFEE CONT.LOWER SEAL SMART1						
13	226000300	996530029609	GEAR SX Z=38 FOR GRINDER MOTION ASSY.						
14	11000513	996530000317	MOTOR COFFEEGRINDER V3.1 ASSY.	230V					
	11000511	996530000315	MOTOR COFFEEGRINDER V3.1 ASSY.	120V					
		996530000316	MOTOR COFFEEGRINDER V3.1 ASSY.	100V					
15	149214800	996530018139	MC V3 MOD=1,25 WORM SCREW CENTRING CAP						
16	129661702	996530012992	SCREW TCB TORX 3,5X30 PLAST.ZN-B						
17	11002873	996530001389	INSULATOR BUSH FOR GRINDER MOTOR P124						
18	11000597	996530000376	COFFEE GRINDER SUPPORT SPRING P124						
19	11014285	996530007058	BLK V2 BEAN CONTAIN.FINGER PROTECT.P0057	EXC. 100-120-127V					
20	128381902	996530012375	STEEL FLAT WASHER DI=4,3 DE=14 SP=1,5						
21	149199050	996530017963	BLK SENSOR SUPPORT FOR COF.GRINDER MOTOR						
22	11000194	996530000115	BLACK COFFEEGRINDER MOTOR SUPPORT P124						
23	181540900	996530022784	ELECTR.BOARD WITH SENSOR HAL506 SF-K						
24	123030200	996530011182	RADIAL BEARING 61900.2RS1						
25	128381800	996530012374	STEEL CRINKLE WASHER 21,8X14X0,25						
26	142905450	996530015258	BLK UPPER BODY WITH COFFEE GROUND OUTLET						
27		421946000091	3P.CONN.MC SENSOR V2 NPR UL ASSY.						
28	11002613	996530001314	LOWER COFFEEGRINDER GEAR SUPPORT P124						
29	11002572	996530001308	COFFEEGRINDER REGULATION SPRING P124						
30	11003784	996530001907	COFFEE GRINDING ADJUSTMENT GEAR P0049						
31	U043.004	996530061808	ZN-B TCB SCREW M4X16						
32	11002508	996530001296	UPPER COFFEEGRINDER GEAR SUPPORT P124						
33	129914002	996530013165	SCREW TCB TORX 10 3,5X16 PLAST.ZN-B						
34	11022841	996530007463	TRANS.BEAN CONTAIN.FINGER PROTECT.XSM UL	100-120-127V					

**GAGGIA®**

**BRERA LED**

**TABLE 4/6**



**GAGGIA®**

**SUP037RG** RI9305/01-03-04-05-08-11-12-41  
RI9305/40-47-43-48 RI9833/60-70



Cod.10003083-3370-3744-3636-3357-3230-3662-3740  
Cod.886930540460-10003358-3635-3359-3356-3357

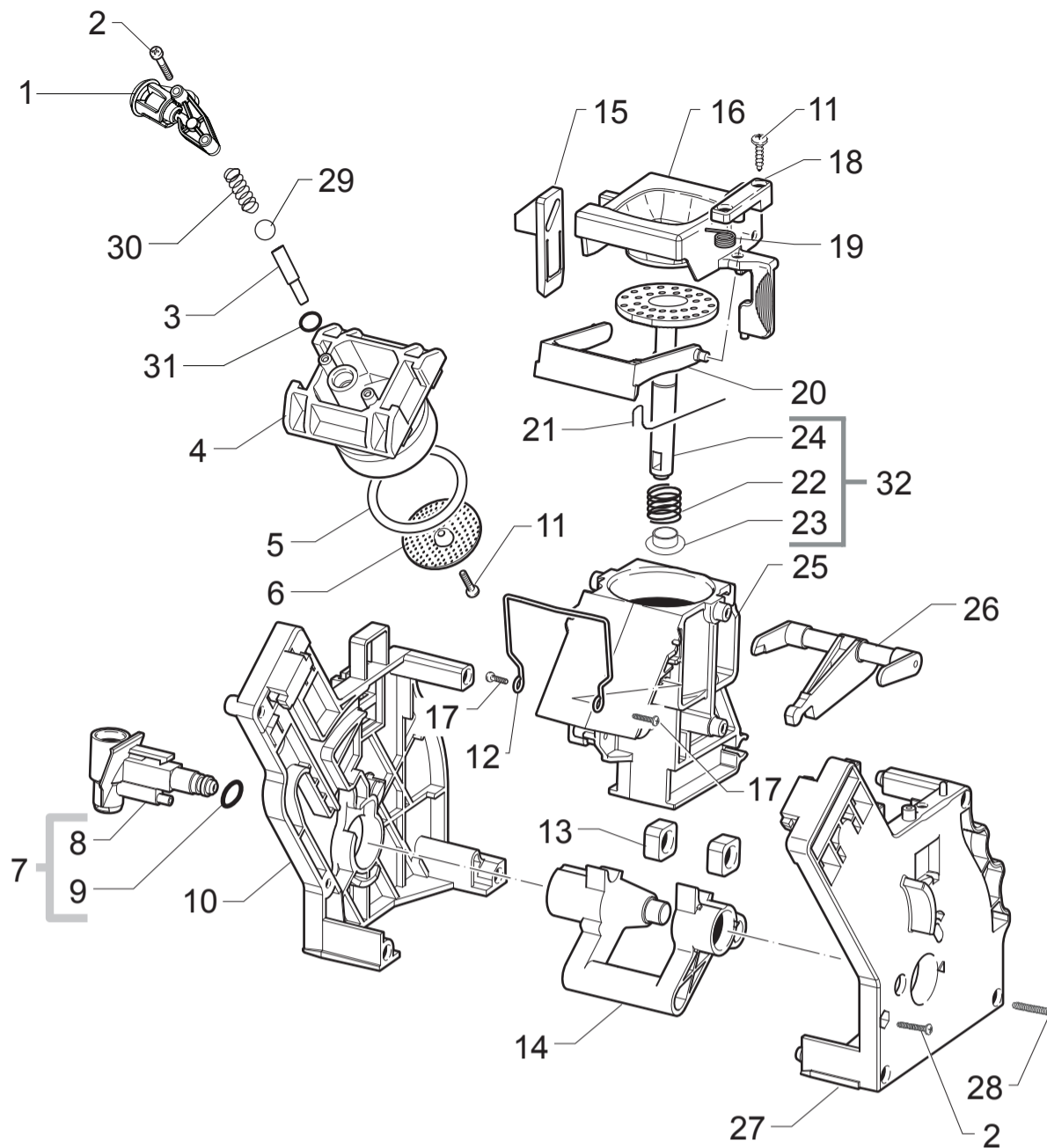
POS	CODE	12NC	DESCRIPTION	NOTE	POS	CODE	12NC	DESCRIPTION	NOTE
01		421941278153	BLK RATIOMOTOR MOUNTING PLATE V3 XSMC AS						
02		421946025541	MICROSWITCH XC/SM1 V2						
03	20000900	996530009913	SPARES KIT GEARS FOR RATIOMOTOR V2						
04	9161.132	996530050569	MYLAR WASHER FOR RATIOMOTOR						
05	11003037	996530001426	MOTOR FOR RATIOMOTOR ASSY.						
06	9121.046	996530049898	BRONZE SINTERED BUSH FOR MOTOR RATIOMOT.						
07	148380200	996530017424	BAKELIZZATE WASHER D=5,5						
08	9121.044	996530049896	ANTIVIBRATION FOR MOTOR						
09	11003754	996530001899	BLK RATIOMOT.MOUNTING PLATE COVER P0057						
10	12000450	996530007819	SCREW TCBR TORX 10 3,5X12 PLAST.ZN-N						
11		421944060181	PIN FOR FLOW SEL.FAUCET V2 PPS P0057 AS						
12		421944059371	PIN FOR FLOW SELECT.FAUCET PPS V2 P0057						
13	NM01.035	996530059399	OR ORM 0090-20 SILICONE						
14	NM01.057	996530059419	OR ORM 0050-20 IN SILICONE						
15		421946032321	MICROSWITCH XG/V3D/VA2						
16	11013205	996530006688	BLACK SEAL FOR RATIOMOTOR PLATE XSM						
17		421944059491	BLK/YLW BREW UNIT 8GR.5BAR GXSM						
18		421944016761	SCREW TCBR TORX 10 3,5X12 PLAST.ZN-NI						

**GAGGIA®**

**BRERA LED**

**TABLE 5/6**





**GAGGIA**

**SUP037RG** RI9305/01-03-04-05-08-11-12-41  
RI9305/40-47-43-48 RI9833/60-70



Cod.10003083-3370-3744-3636-3357-3230-3662-3740  
Cod.886930540460-10003358-3635-3359-3356-3357

POS	CODE	12NC	DESCRIPTION	NOTE	POS	CODE	12NC	DESCRIPTION	NOTE
01		421944065222	BLK BREW UNIT COF.OUT.SLEEVE V2 SMR ASSY						
02	12000550	996530007838	SCREW TCB TORX 10 3X25 PLAST.SS						
03	11009276	996530005372	BLK COUNTER PISTON TUBE BREW UNIT S0053						
04	11001840	996530001046	BLACK COUNTER PISTON BREW UNIT 8GR.P124						
05	NM01.044	996530059406	OR ORM 0320-40 SILICONE PTFE/FDA						
06	9161.268	996530050709	PERCOLATOR DE=35,8 ELFO						
07	20000440	996530009825	BLACK WATER INLET SLEEVE BREW UNIT ASSY.						
08	9161.064.050	996530050488	BLACK WATER INLET SLEEVE BREW UNIT ROYAL						
09	NM02.007	996530059441	OR 2025 IN TERMOIL						
10	9161.375.050	996530050832	BLACK BREW UNIT REAR PLATE SMART						
11	12000895	996530007951	SCREW TSP TORX 10 3X10 PLAST.SS						
12	11001556	996530000898	SS BREW UNIT SPRING H=49 SMART						
13	9161.094.050	996530050539	BLACK BREW UNIT DRILLED BLOCK						
14		421944051231	YLW BREW UNIT ELBOW SHAFT M5000						
15		421944046931	YLW BREW UNIT COUPLING PLATE V2 SMART						
16	149261350	996530018241	BLACK HOPPER DOSER BREW UNIT SMART1						
17	129912521	996530013148	SCREW TCB TORX 10 3,5X14 PLAST.SS						
18		421944050711	YLW BREWUNIT HOPPER BLOCKING PLATE SMART						
19	9161.378	996530050838	SS HOPPER SPRING FOR BREW UNIT SMART						
20	11004161	996530002096	BLACK SCRAPER FOR BREW UNIT M5000						
21	9161.046	996530050455	SS SCRAPER SPRING FOR BREW UNIT						
22	9161.198	996530050627	SS.8GR.BREW UNIT PISTON SPRING						
23	9161.191	996530050618	WHITE 8GR.-12GR.BREW UNIT PISTON BUSH						
24		421944025621	BLK BREW UNIT INTEGR.PISTON 8GR.V3 ASSY.						
25		421944014611	BLK COF.CONTAIN.BREW UNIT V2 M5000 ASSY.						
26	11003078	996530001452	BLACK CONNECTING ROD BREW UNIT 8GR.						
27	11005920	996530003228	BLACK BREW UNIT FRONT PLATE S/SCR.SMART						
28	12000897	996530007953	SCREW TCB TORX 10 3,5X20 PLAST.SS						
29		421944034451	BOROSILICATE SPHERE D.5 MM						
30	11012095	996530006305	SS COFFEE UNIT CONTERPISTON SPRING S0053						
31	140328761	996530013575	OR ORM 0060-15 TERMOIL						
32		421944029791	BLK BREW UNIT 8GR.INT.PISTON GEN.V3 ASSY						
		421944059491	BLK/YLW BREW UNIT 8GR.5BAR GXSM						

**GAGGIA**

**BRERA LED**

**TABLE 6/6**