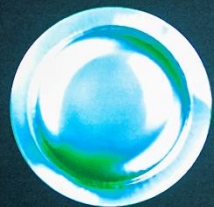


# GIMOKA

IL GUSTO DELL'ECCELLENZA



## CIALDE SALVA AROMA



COMPATIBILI CON MACCHINE  
NESPRESSO®(1) PROFESSIONAL

\*1 modello non appartenente al Gruppo Gimoka ed è protetto da suoi diritti.





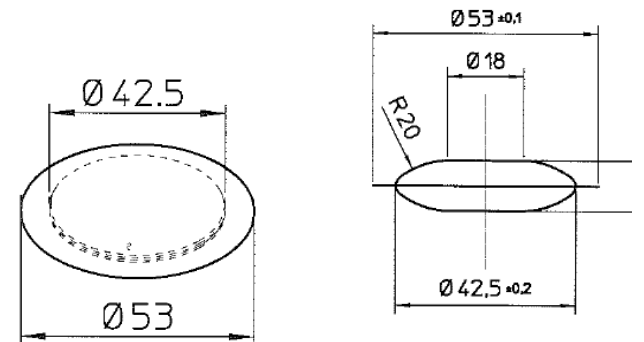
**GRUPPO GIMOKA RANGE OF PODS COMPATIBLE  
WITH THE NESPRESSO (\*) PROFESSIONAL SYSTEM**

# GRUPPO GIMOKA RANGE OF PODS COMPATIBLE WITH THE NESPRESSO (\*) PROFESSIONAL SYSTEM

*This range of aluminum pods has been specifically developed to offer a valuable alternative solution to the successful original one, very popular in locations such as at works, meeting and convention coffee break, restaurant , B&B and whenever a good coffee goes with a good service perception.*

## Key Technical Project Drivers:

- **100 % compatibility across the original machine range**
- **Right compactness, volumes and pressing of the inner coffee pods**
- **6 gr coffee**



# GRUPPO GIMOKA RANGE OF PODS COMPATIBLE WITH THE NESPRESSO (\*) PROFESSIONAL SYSTEM

## A Balanced Coffee Range







A blend with a strong and persistent flavour and intense aroma. The hazelnut-coloured crema is full-bodied with a delicate hint of acidity and an aftertaste with notes of almond and dried fruit.

**GIMOKA®**



A soft, balanced and medium-bodied blend. Its aroma and delicate acidity meld together in a balance of sensations characterised by notes of hazelnut and dried fruit.



A blend of select Arabica beans create a rounded coffee distinguished by delicious notes of chocolate and fruit. The intensity of the roast ensures a well-bodied coffee and a dense crema



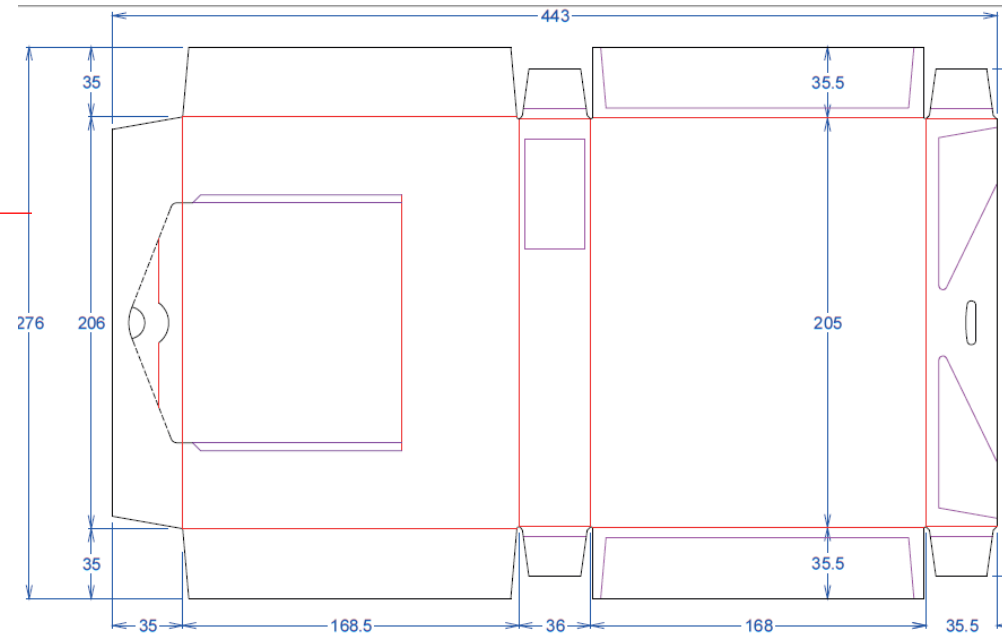
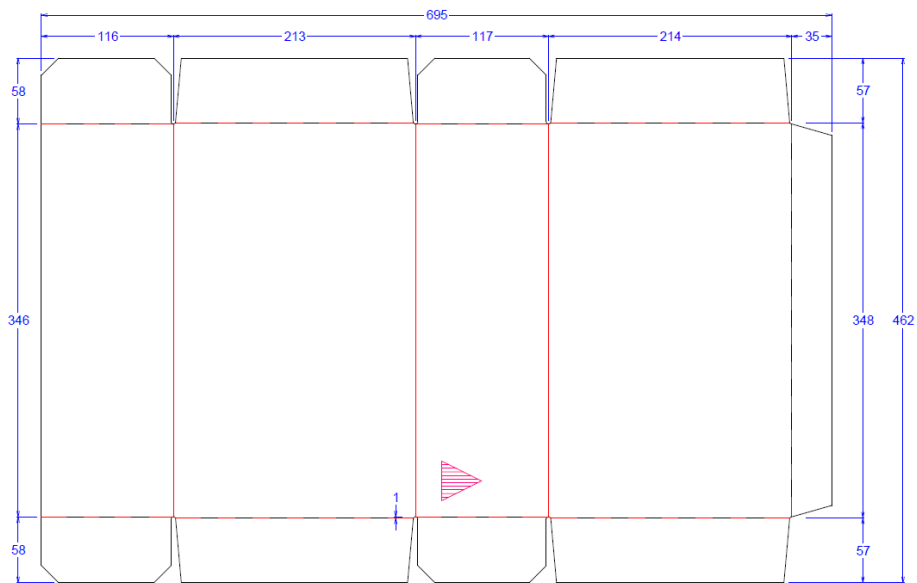
A decaffeinated espresso with an intense and rich aroma, retaining all the sensory characteristics of coffee thanks to the selection of blends, the skilful roasting and the natural decaffeinating process.

**GIMOKA®**

## **PACKAGING & LOGISTICS DATA**

# Nespresso Professional®\* compatible aluminium pods Packaging system

Box: 50 pods capacity



Master Carton: # 6 boxes



## Nespresso Professional®\* compatible aluminium pods Product Codes



BLEND	INTENSO	CREMOSO	VELLUTATO	SOAVE
PRODUCT CODE	CUPCNPGEINT50	CUPCNPGECRE50	CUPCNPGEVEL50	CUPCNPGESOA50
EAN CODE SELLING UNIT	8003012009629	8003012009636	8003012009643	80030120009650
ITF CODE LOGISTIC UNIT	18003012009640	18003012009633	18003012009626	8003012009657

# Nespresso Professional®\* compatible aluminium pods

## Logistics Data

### 80x120 pallet

LOGISTIC DATA	
SELLING UNITS PER LOGISTIC UNIT	6
SELLING UNITS PER PALLET	1.122
LOGISTIC UNITS PER LAYER	11
LAYERS PER PALLET	17
LOGISTIC UNITS PER PALLET	187
GROSS PALLET HEIGHT	221 cm

### 100x120 pallet

LOGISTIC DATA	
SELLING UNITS PER LOGISTIC UNIT	6
SELLING UNITS PER PALLET	1.428
LOGISTIC UNITS PER LAYER	14
LAYERS PER PALLET	17
LOGISTIC UNITS PER PALLET	238
GROSS PALLET HEIGHT	221 cm